

6

5

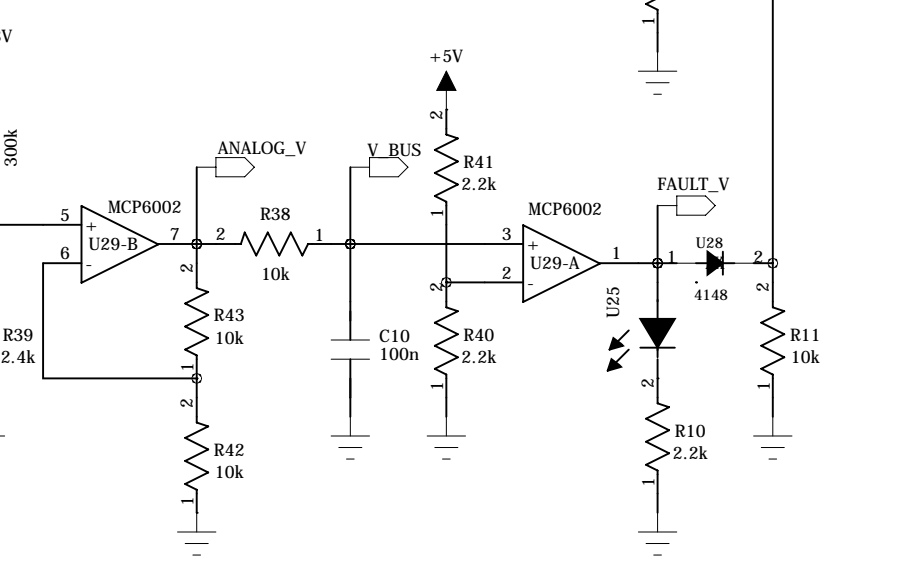
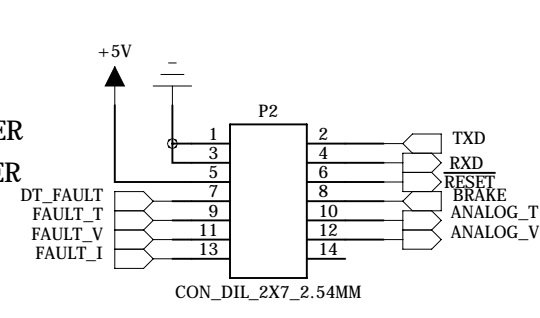
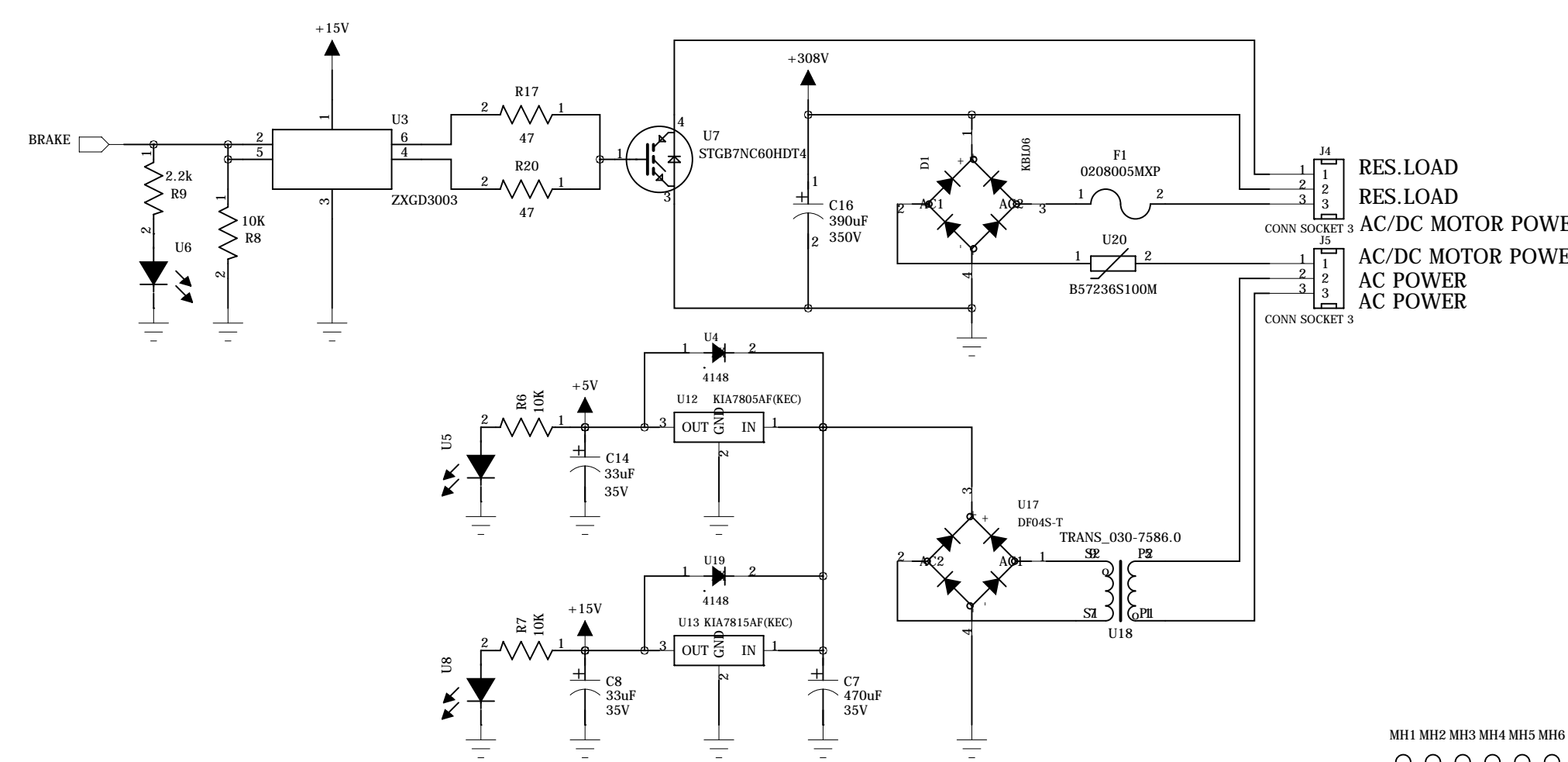
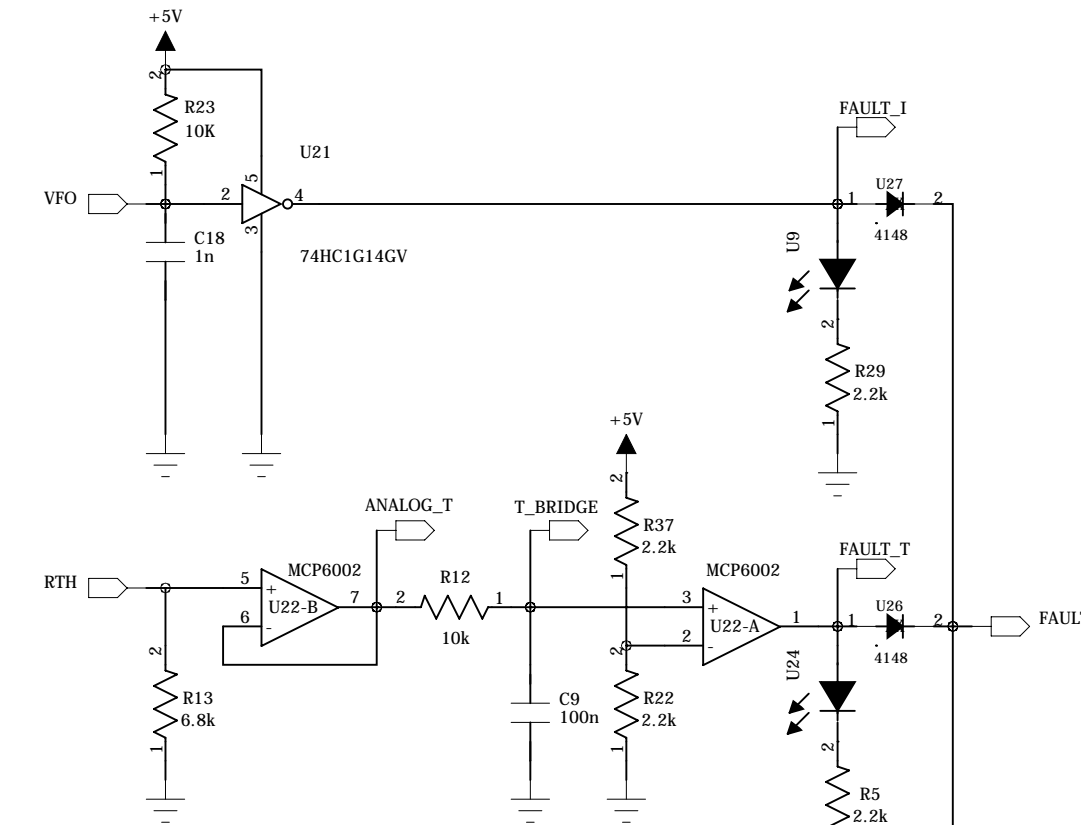
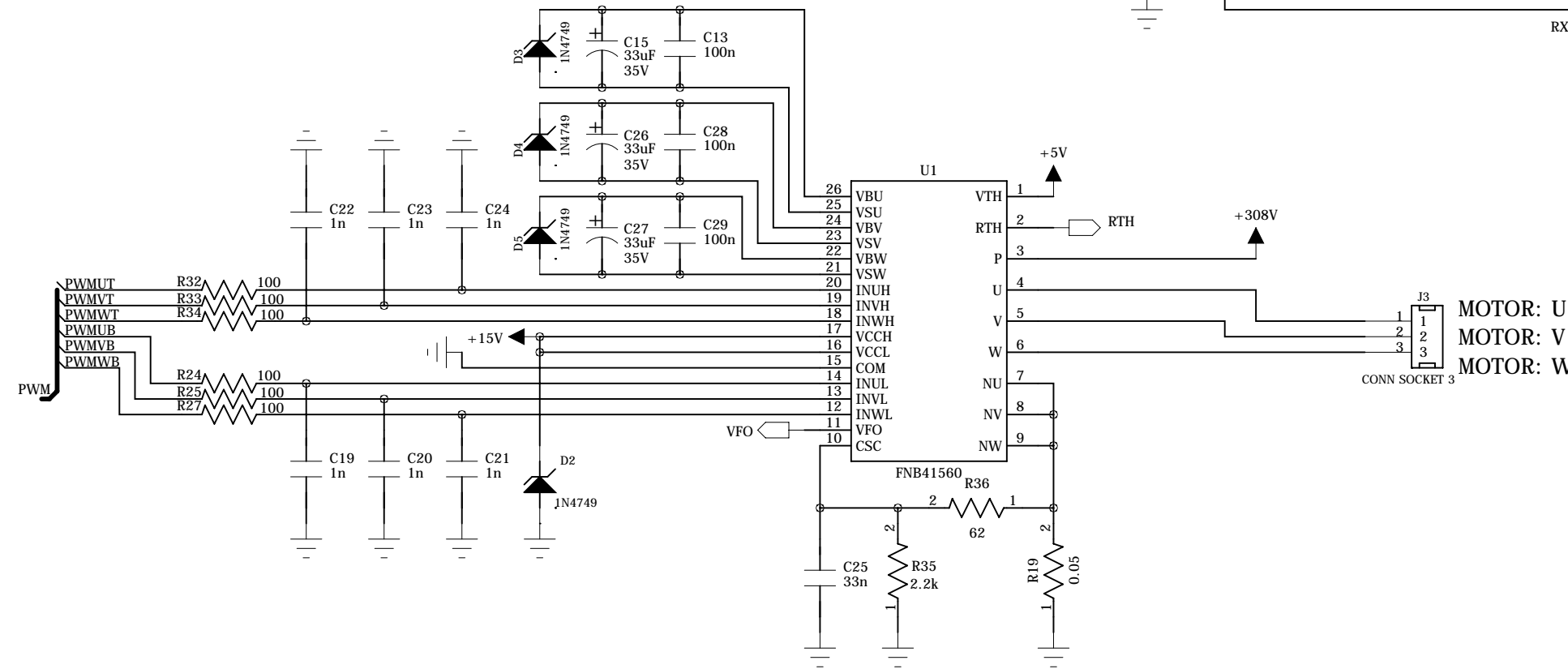
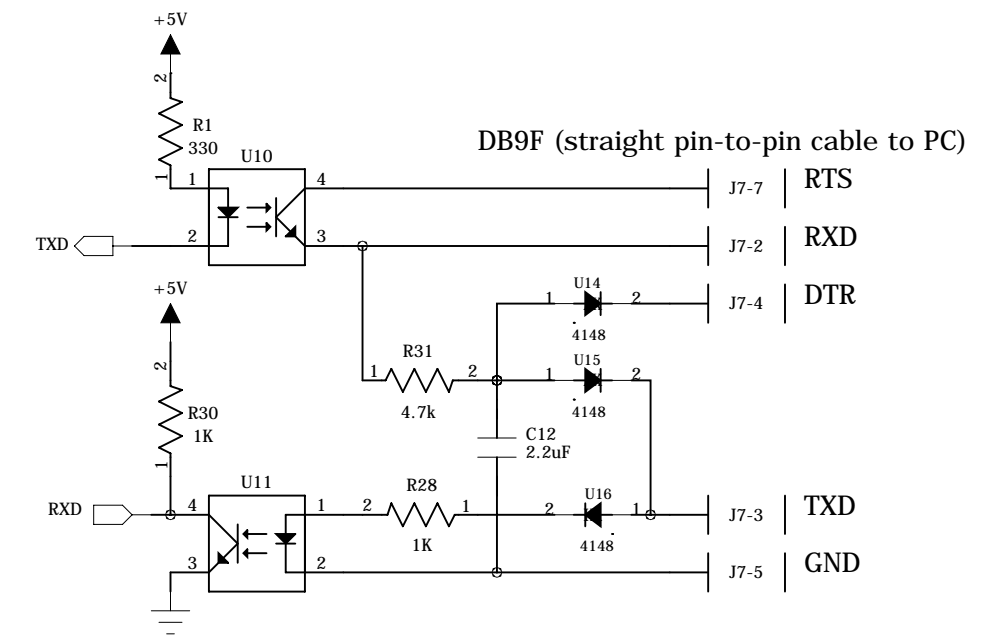
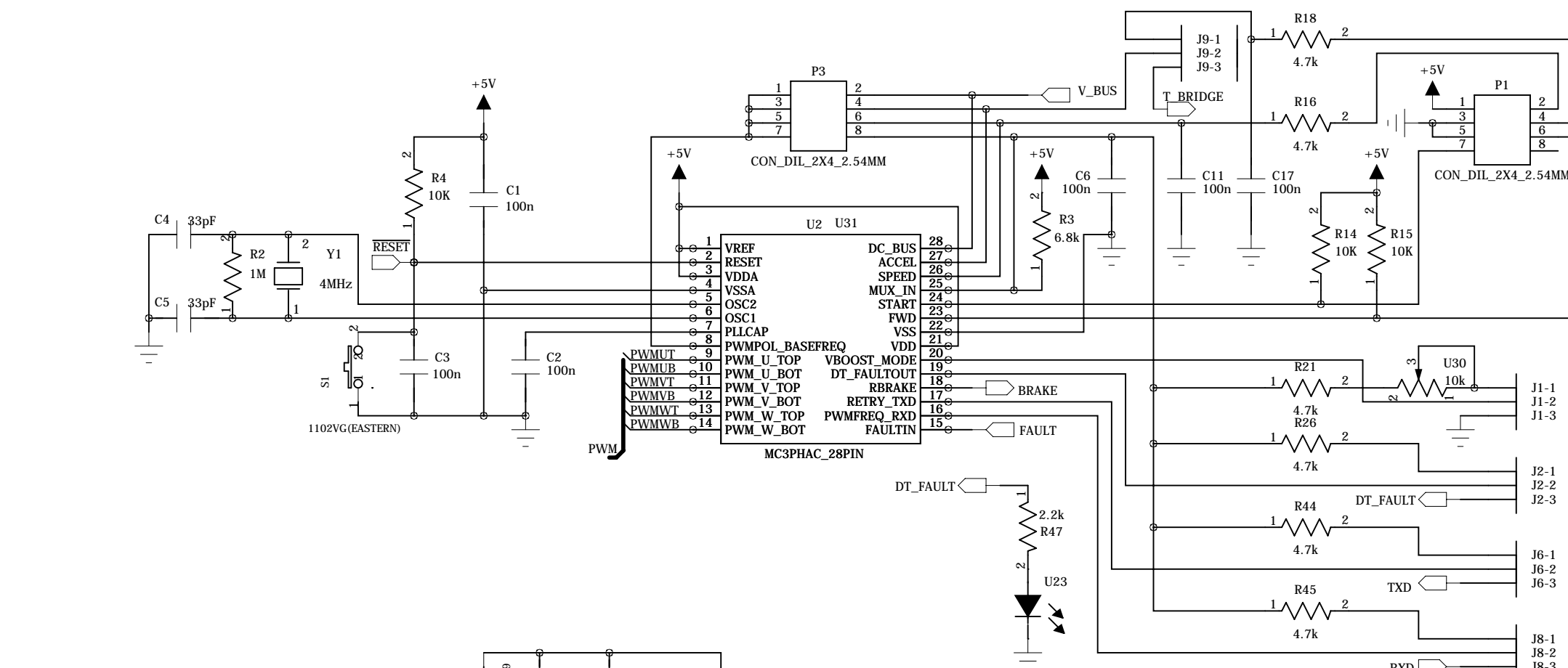
4

3

2

1

REVISION RECORD			
LTR	ECO NO:	APPROVED:	DATE:



COMPANY: TESTER Co.Ltd.			
TITLE: Asynchronous Motor Driver			
CODE: TST001	SIZE: A2	DRAWING NO: TESTER.08.2011	REV: 0
SCALE: 1:1		SHEET: 1 of 1	

DRAWN: TESTER	DATED: 03.08.11
CHECKED: Supervisor	DATED: 03.08.11
QUALITY CONTROL: Q.C.	DATED: 03.08.11
RELEASED: Releaser	DATED: 03.08.11

